

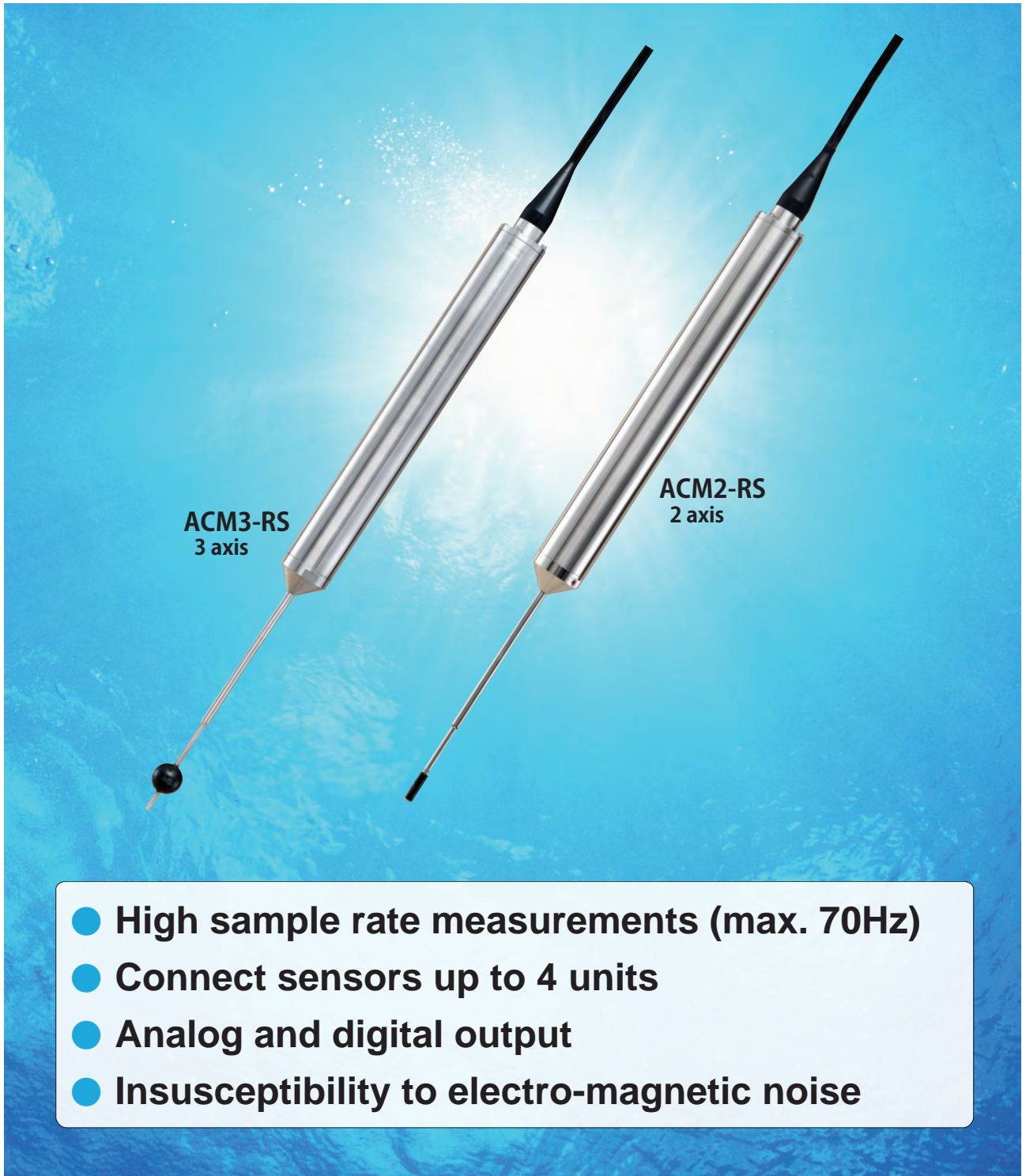
Laboratory electro-magnetic current meter

ACM series

ACM2-RS
ACM3-RS
ACM-4IF



For low noise single point current measurements



JFE Advantech Co., Ltd.

Laboratory electro-magnetic current meter

ACM2-RS, ACM3-RS, ACM-4IF

■ Description

ACM2-RS and ACM3-RS are 2-D and 3-D electro-magnetic current meters for laboratory experiments. The models provide digital output, a high-speed sampling rate and insusceptibility to electro-magnetic noise. With the new system, a maximum of four different sensors can be connected to the compact interface unit, enabling simultaneous recording on a personal computer. Additionally, the system can provide analog output as well as necessary.

■ Sensor specifications

| | 2-D Velocity Sensor | 3-D Velocity Sensor |
|---|---|--|
| Model name | ACM2-RS | ACM3-RS |
| Parameter | Velocity in two horizontal directions (X and Y) | Velocity in three horizontal and vertical directions (X, Y, and Z) |
| Measuring range | Each axis: $\pm 250\text{cm s}^{-1}$ | |
| Measuring accuracy | $\pm 0.5\text{cm s}^{-1}$ or $\pm 2\%$ (0 to $\pm 100\text{cm s}^{-1}$) | |
| Resolution | 0.1 cm s^{-1} | |
| Zero point stability | Within 0.1 cm s^{-1} | |
| Response time | 0.05, 1, 5 s (switching type) | |
| Sampling rate | 15 to 70Hz (in accordance with number of sensors) | 15 to 60Hz (in accordance with number of sensors) |
| Digital output | RS-232C | |
| Analog output | -1V to +1V | |
| Power | 12V DC (from interface) | |
| Overall dimensions | Maximum diameter: 34mm, Total length: 420mm | |
| Detector area dimensions | $\Phi 6\text{mm} \times 19\text{mm}$ | $\Phi 20\text{mm}$ (spherical shape) |
| Detector area pressure resistant depth | 5 m/24 h | |
| Cable | 10m (standard), $\Phi 6\text{mm}$ polyurethane outer sheath, 6-core cable | |

■ Interface Specifications

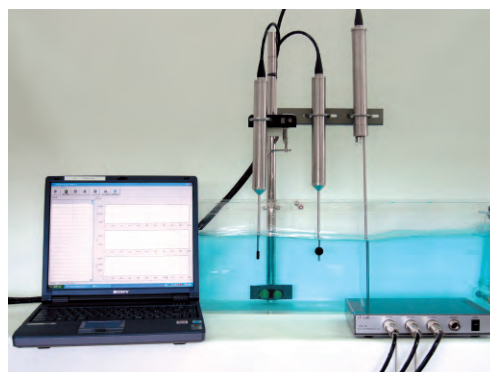
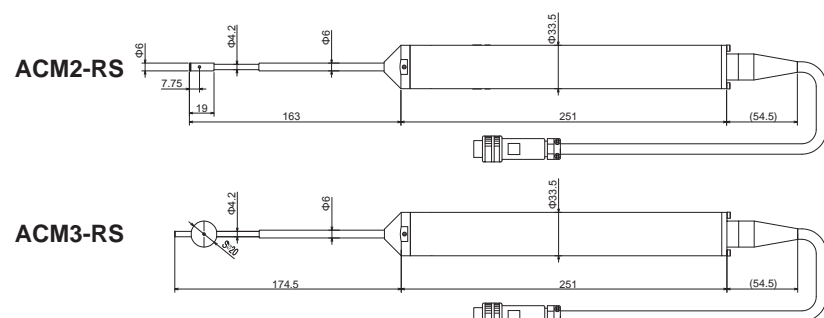


ACM-4IF

| Model name | Maximum No. of Sensors | Power Source * | Dimensions |
|------------|------------------------|-------------------------------------|------------------|
| ACM-4IF | 4 | 100 to 120V AC or 200 to 230V AC | 260mm×190mm×55mm |

* Factory setting

■ Drawing



※ Dimensions are in mm. ※ All specifications on this leaflet are subject to change without notice.



JFE Advantech Co., Ltd.

JFE

Ocean & River Instruments Division

URL: <http://www.jfe-advantech.co.jp/>

Head Office 3-48 Takahata cho, Nishinomiya, Hyogo 663-8202
TEL. +81-798-66-1783 FAX. +81-798-66-1654

Tokyo Head Office JFE Kuramae Bldg. 2F, 2-17-4 Kuramae, Taito ku, Tokyo 111-0051
TEL. +81-3-5825-5589 FAX. +81-3-5825-5591

Tohoku Sales Office TM Bldg. 2F, 1-3-1, Ichiban cho, Aoba ku, Sendai, Miyagi 980-0811
TEL. +81-22-711-7535 FAX. +81-22-711-7534